



TITAN[®]

BY CHICAGO PNEUMATIC



T SERIES

Square Drive Hydraulic Torque Wrenches



- ✓ Robust
- ✓ Powerful
- ✓ Accurate



www.TITANti.com
www.cp.com

People. Passion. Performance.

T SERIES

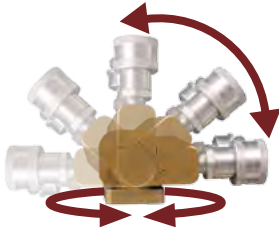
Square Drive Hydraulic Torque Wrenches

Robust and Ergonomic Design



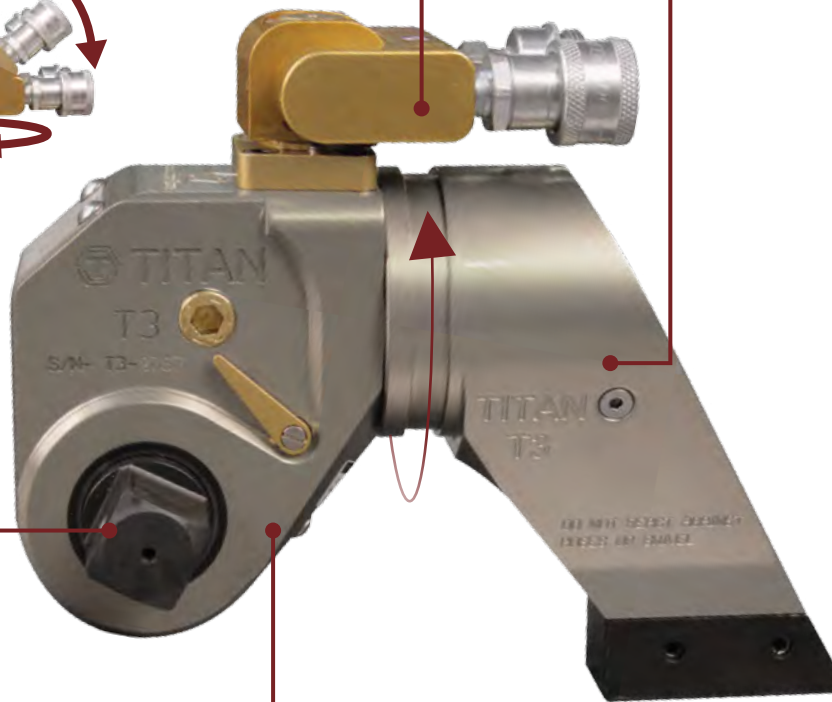
PATENTED MULTI AXIS THRU-SWIVEL

- Allow hose liberty movement
- Greater range of hose position



360° ROTATING REACTION ARM

- Multi-axis design
- Ease of motion
- Prevent hose kinking



VERSATILE SQUARE DRIVE

- Quick change system
- 3 square drive sizes available

CORROSION RESISTANCE

- Hard coat anodized finish

Optional square / hex. drive sizes

Model	Part Number	Square Drive	Torque				Weight (incl. reaction arm)		Accuracy
			ft.lb	Nm		lbs	kg	%	
T1	615 155 0010	3/4	197	1359	267	1843	5	2.27	± 3%
T3	615 155 0020	1	468	3124	635	4236	10	4.54	± 3%
T5	615 155 0030	1 1/2	816	5605	1107	7601	17	7.71	± 3%
T8	615 155 0040	1 1/2	1168	8062	1584	10932	25	11.34	± 3%
T10	615 155 0050	1 1/2	1662	11067	2254	15007	30	13.61	± 3%
T25	615 155 0060	2 1/2	3726	24749	5052	33560	70	31.75	± 3%

Square Drive Sizes		Hexagonal Drives Sizes	
in		in	mm
1/2 & 1		3/8 to 1	9 to 26
3/4 & 1 1/2		5/8 to 1 1/4	16 to 32
1 & 2 1/2		1 to 1 1/2	26 to 38
1 & 2 1/2		1 1/8 to 1 3/4	28 to 45
1 & 2 1/2		1 1/4 to 2	32 to 51
1 1/2 & 3 1/2		1 5/8 to 2 1/4	41 to 57

Specifications are subject to change without notification. Please refer to your regional sales representative for more information.

Superior Bolting Solutions

Robust, Powerful and Accurate

RELIABLE



Titan piston system eliminates piston and cylinder damage due to over-stroke

ROBUST DESIGN



Crafted from the highest quality aircraft-grade materials for ultimate strength and durability (AQ Grade 7075-T6 Light Alloy)

DURABLE



Unique single-piece drive pawl design for ultimate accuracy and longevity

ACCURACY



Certified torque accuracy of +/-3%
Robust ratchet mechanism assures high repeatability

POWERFUL



The T series offers an excellent power to weight ratio for easy, powerful and efficient bolting

CERTIFIED CALIBRATION



Every tool is provided with a certification of calibration with traceability to NIST by an independent lab – NVLAP – using certified calibration equipment and procedure

All tools are manufactured to ISO 9001/AS9100C:2009 quality standards.
To reduce risk of injury, everyone using, installing, repairing, maintaining, changing accessories on, or working near hydraulic tools must read and understand the instructions of use delivered with the tool, before performing any such task.



Applications



**Wind Mill,
Power Plant**



**Oil, Gas and
Petrochemical**



**Mining and
Construction
Heavy Equipment**



Over 110 years of experience

Since 1901 the Chicago Pneumatic (CP) name has represented reliability and attention to customer needs, with construction, maintenance and production tools and compressors designed for specific industrial applications. Today, CP has a global reach, with local distributors around the world.

To learn more about our extensive range of tools, construction equipment, industrial and portable compressors, accessories and workshop equipment, please visit www.cp.com.

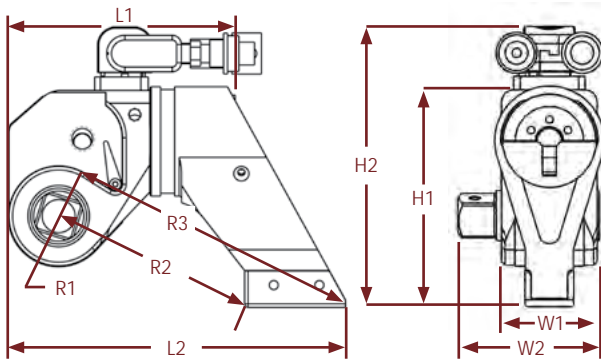


Titan is now part of Chicago Pneumatic

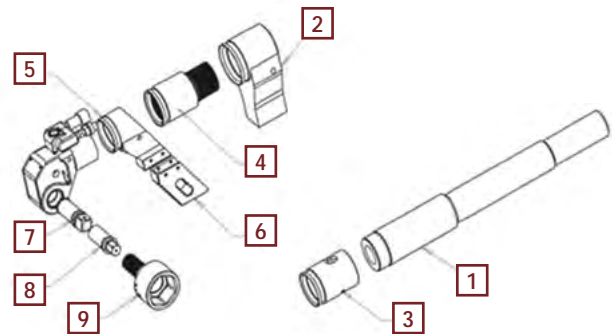
Since 2001, Titan products are in use every day in a wide variety of industries including oil & gas, mining and construction, power plants, shipyards, steel mills, locomotives, off-road equipment and cranes, and all types of industrial service companies supporting these market sectors. Titan hydraulic tools continually satisfy the demands of the industry during construction, production, breakdown, and routine shutdown repair and maintenance.

T SERIES DIMENSIONS

Dimensions		T1	T3	T5	T8	T10	T25
L1 - Body length	in / mm	4.79 / 121.7	6.24 / 158.5	7.45 / 189.2	8.36 / 212.3	9.17 / 232.9	12.52 / 318
L2 - Overall length	in / mm	7.02 / 178.3	9.26 / 235.2	11.5 / 283.2	12.58 / 319.5	13.89 / 352.8	18.57 / 471.7
H1 - Tool height	in / mm	4.39 / 111.5	5.95 / 151.1	7.07 / 179.6	8.08 / 205.2	8.97 / 227.8	11.95 / 303.5
H2 - Overall height	in / mm	5.83 / 148.1	7.44 / 189	8.81 / 223.8	9.82 / 249.4	10.71 / 272	13.69 / 347.7
R1 - Tool radius around the bolt	in / mm	1.03 / 26.2	1.37 / 34.8	1.65 / 41.9	1.87 / 47.5	2.05 / 52.1	2.77 / 70.4
R2 - Reaction reach minimum	in / mm	4.41 / 112	5.77 / 146.6	6.82 / 173.2	7.72 / 196.1	8.62 / 218.9	11.46 / 291.1
R3 - Reaction reach maximum	in / mm	6.26 / 159	8.26 / 209.82	9.92 / 252	11.19 / 284.2	12.39 / 314.7	16.52 / 419.6
W1 - Tool width	in / mm	2.04 / 51.8	2.63 / 66.8	3.15 / 80	3.58 / 90.9	3.95 / 100.3	5.25 / 133.4
W2 - Tool width: incl. sq. drive	in / mm	2.95 / 74.9	3.89 / 98.8	4.97 / 126.2	5.4 / 137.2	5.84 / 148.3	7.85 / 199.4



T SERIES ACCESSORIES



STEEL TWINLINE HOSE ASSEMBLY

Size	
ft	m
10	3
15	4.5
20	6
25	7.5
30	9
40	12
50	15
100	30



	Accessories
1	Extended alco arm
2	Straight down reaction arm
3	Steel sleeve
4	Spline extension
5	Standard reaction arm
6	Extended boot
7	Square drive spline step up / step down
8	Direct hex driver
9	Direct socket



www.TITANti.com

www.cp.com

English - 615 994 2731
© Copyright 2015

The TITAN name and logo are registered trademarks of Chicago Pneumatic Tool Company LLC.