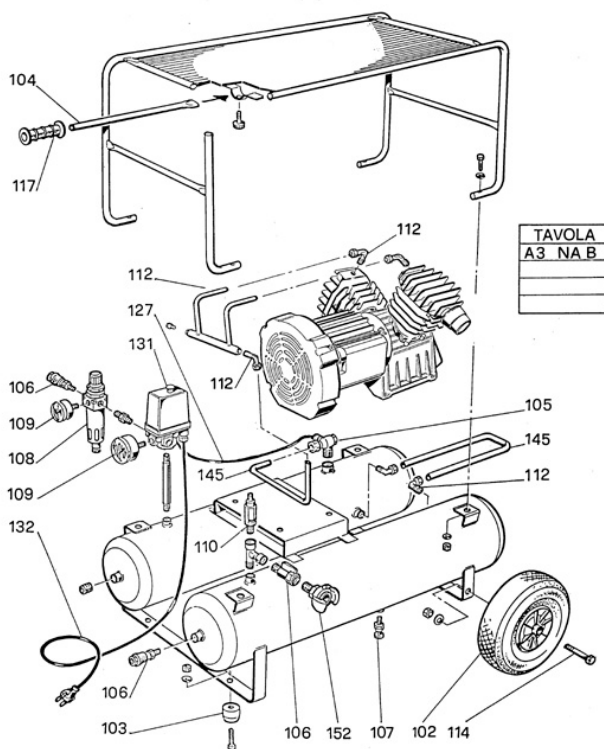


Information

Item 4116022829 Description CPRA 322 GV34 MS

ELETTROCOMPRESSORI

NV 11+11



Part

Nr.	Item	Description	End	Q.ty
099	6218739500	Pump		1.00 PC
100	2236100168	Plug -receiver		3.00 PC
102	2236112348	Wheel		2.00 PC
102	2236112348	Wheel	08/10/14	2.00 PC
102	6214343900	Wheel	09/07/13	2.00 PC
103	6214346200	Pivot wheel - front pin		2.00 PC
103	6214346200	Pivot wheel - front pin	08/10/14	2.00 PC
104	6214342900	Handle		1.00 PC
105	6210718800	Non return valve		1.00 PC

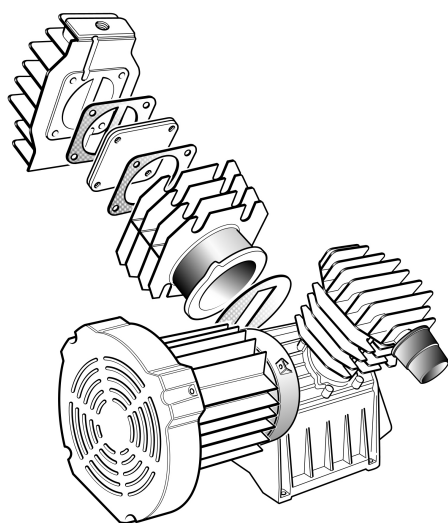
Part

Nr.	Item	Description	End	Q.ty
106	6210717800	Tap		1.00 PC
106	6231944100	Tap		1.00 PC
106	6210717800	Tap	01/06/12	1.00 PC
106	6231944200	Tap	05/11/13	1.00 PC
107	6210717700	Drain tap		2.00 PC
107	2236111480	Drain tap	06/03/16	1.00 PC
108	2236105532	Pressure reducer		1.00 PC
109	6214344700	Gauge		1.00 PC
109	6214344900	Gauge		1.00 PC
110	2236100092	Safety valve		1.00 PC
110	6210719900	Safety valve	16/11/16	1.00 PC
112	2236100195	Fitting		2.00 PC
112	6231943700	Fitting		1.00 PC
112	6231942800	Fitting	15/03/13	2.00 PC
114	6214348300	Wheel pin		2.00 PC
114	6214348300	Wheel pin	08/10/14	2.00 PC
116	6214344600	Plug		4.00 PC
117	6214345800	Knob		1.00 PC
119	2236112359			1.00 PC
127	6245578100	Rilsan tube	29/06/12	0.13 M
131	2236110610	Pressure switch		1.00 PC
131	2236106647	Pressure switch	15/02/11	1.00 PC
132	6256395100	Cable		1.00 PC
145	6245575600	Delivery pipe		1.00 PC
152	6231943900	Fitting		1.00 PC

Information

Item 4116022829 Description CPRA 322 GV34 MS

GV34



A3N01

Part

Nr.	Item	Description	End	Q.ty
PK1	8973037651	Performance kit		1.00 PC