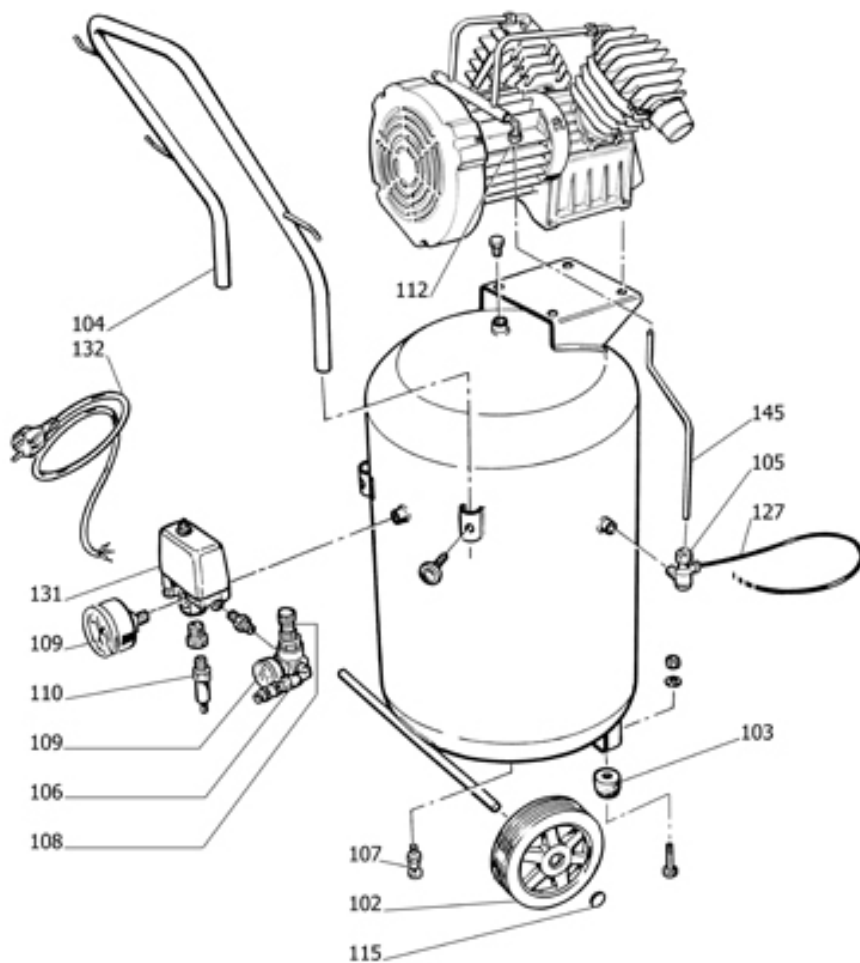


Information

Item 4116022830 Description CPRA 350 GV34 VS



Part

Nr.	Item	Description	End	Q.ty
099	6218739500	Pump		1.00 PC
100	2236100168	Plug -receiver		1.00 PC
102	6214347600	Wheel		2.00 PC
103	6214345500	Pivot wheel - front pin		2.00 PC
104	2236107299	Handle		1.00 PC
105	2236110536	Non return valve		1.00 PC
105	2236100840	Non return valve	22/04/12	1.00 PC
106	6231944100	Tap		1.00 PC
107	2236108175	Drain tap		1.00 PC

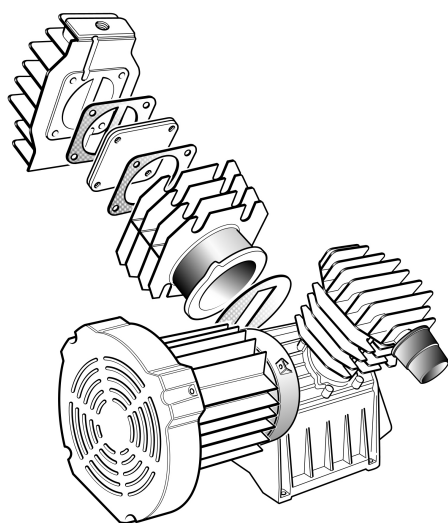
Part

Nr.	Item	Description	End	Q.ty
108	2236111035	Pressure reducer		1.00 PC
108	6266307900	Pressure reducer	12/06/11	1.00 PC
109	6214344700	Gauge		1.00 PC
109	6214345000	Gauge		1.00 PC
110	6210719900	Safety valve		1.00 PC
112	2236100836	Fitting		1.00 PC
112	6231942800	Fitting	15/03/13	2.00 PC
115	6214346400	Snap ring		2.00 PC
127	2236112998	Rilsan tube		0.50 MT
127	6245578000	Rilsan tube	18/12/15	0.50 M
131	2236110610	Pressure switch		1.00 PC
131	2236101189	Pressure switch	01/05/13	1.00 PC
131	2236110612	Pressure switch	12/06/13	1.00 PC
131	6256397000	Pressure switch	20/02/11	1.00 PC
131	2236110612	Pressure switch	29/04/13	1.00 PC
132	2236106738	Cable		1.00 PC
145	2236105322	Delivery pipe		1.00 PC

Information

Item 4116022830 Description CPRA 350 GV34 VS

GV34



A3N01

Part

Nr.	Item	Description	End	Q.ty
PK1	8973037651	Performance kit		1.00 PC