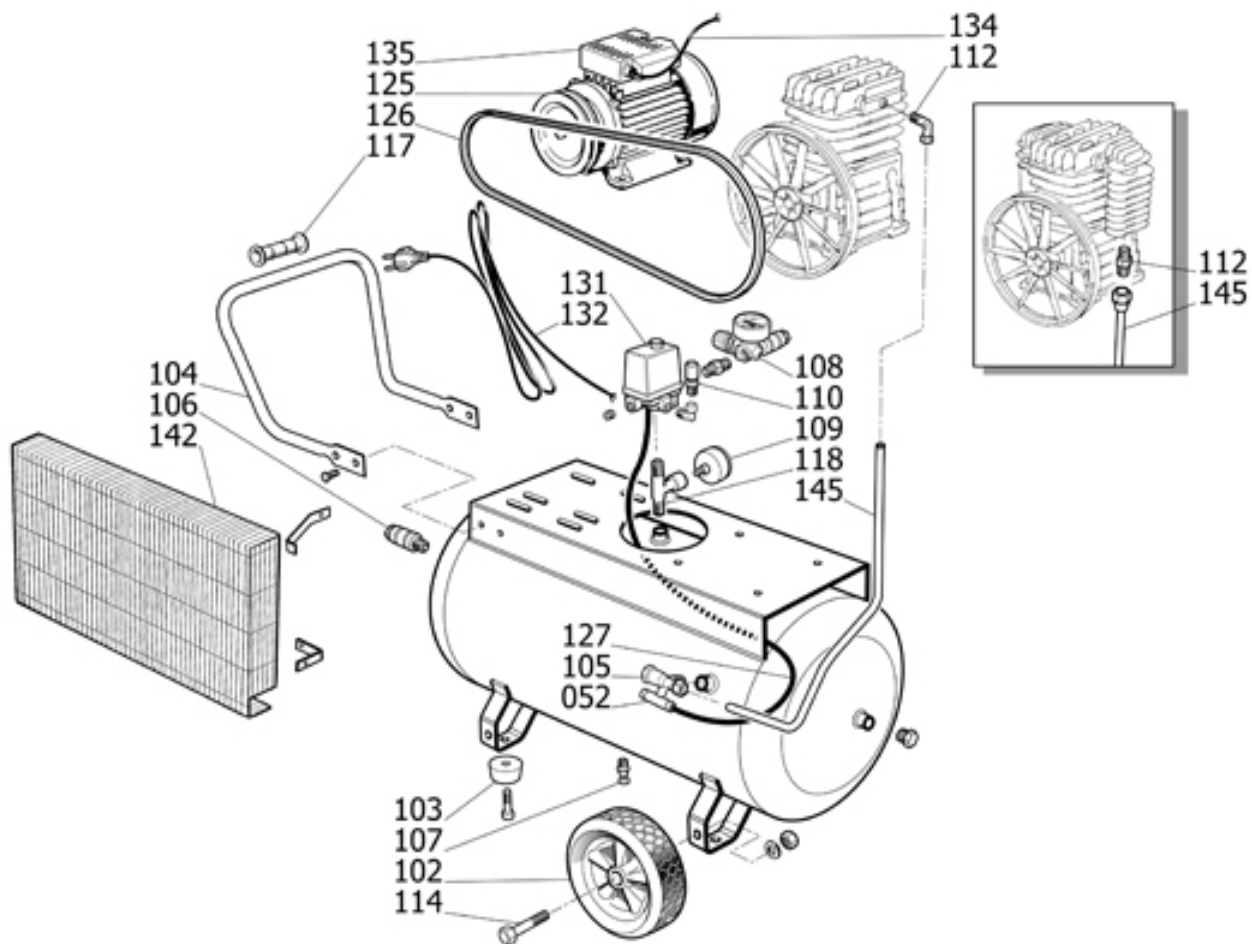


Information

Item 4116024348 Description CPRC 350 NS19S MS



Part

Nr.	Item	Description	End	Q.ty
099	4116090298	Pump		1.00 PC
099	4116090298	Pump	04/04/13	1.00 PC
100	2236100168	Plug -receiver		1.00 PC
102	2236112178	Wheel		2.00 PC
102	2236105212	Wheel	23/11/12	2.00 PC
103	6214346200	Pivot wheel - front pin		2.00 PC
103	6214345500	Pivot wheel - front pin	23/11/12	2.00 PC
104	6214343700	Handle		1.00 PC
105	2236110537	Non return valve		1.00 PC

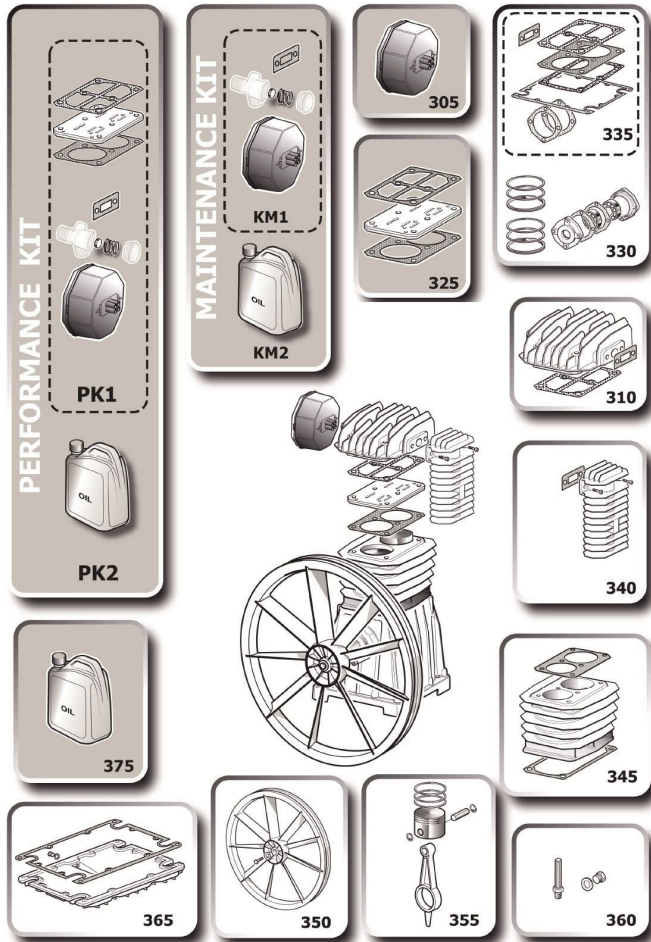
Part

Nr.	Item	Description	End	Q.ty
106	6231944100	Tap		1.00 PC
106	6210717800	Tap	01/06/12	1.00 PC
106	6231944200	Tap	05/11/13	1.00 PC
107	2236111480	Drain tap		1.00 PC
108	6214344100	Pressure reducer		1.00 PC
109	6214345000	Gauge		1.00 PC
110	6210719900	Safety valve		1.00 PC
112	6231943500	Fitting		1.00 PC
114	2236112187	Wheel pin		2.00 PC
114	2236102979	Wheel pin	23/11/12	2.00 PC
117	2236105157	Knob		1.00 PC
118	6275613400	Fitting		1.00 PC
125	2236110190	Pulley		1.00 PC
126	6214632100	Belt		1.00 PC
127	2236112998	Rilsan tube		0.70 MT
127	6245578000	Rilsan tube	18/12/15	0.70 M
131	2236110610	Pressure switch		1.00 PC
131	2236110612	Pressure switch	12/06/13	1.00 PC
131	2236110612	Pressure switch	29/04/13	1.00 PC
132	6256395300	Cable		1.00 PC
135	2236112952	Motor		1.00 PC
135	6226121700	Motor	22/11/15	1.00 PC
142	2236112756	Belt guard		1.00 PC
142	2236111641	Belt guard	16/10/14	1.00 PC
145	2236111147	Delivery pipe		1.00 PC

Information

Item 4116024348 Description CPRC 350 NS19S MS

PAT38A-NS19S



Part

Nr.	Item	Description	End	Q.ty
305	2236111635	Air filter	04/02/15	1.00 PC
305	2236111635	Air filter	04/04/13	1.00 PC
305	2236111635	Air filter	05/02/11	1.00 PC
305	2236111635	Air filter	09/02/11	1.00 PC
305	2236112735	Air filter		1.00 PC
305	2236112735	Air filter	04/04/13	1.00 PC
305	2236112735	Air filter	05/02/11	1.00 PC
310	2901325044	Cylinder head kit		1.00 PC
310	2901325044	Cylinder head kit	04/04/13	1.00 PC

Part

Nr.	Item	Description	End	Q.ty
325	2236112518	Valve plate kit		1.00 PC
325	2236112518	Valve plate kit	04/04/13	1.00 PC
330	2901325046	Upgrade kit		1.00 PC
330	2901325046	Upgrade kit	04/04/13	1.00 PC
335	2901325045	Joints kit		1.00 PC
335	2901325045	Joints kit	04/04/13	1.00 PC
340	2236112794	Aftercooler kit		1.00 PC
340	2236112794	Aftercooler kit	04/04/13	1.00 PC
345	2236112435	Cylinder kit		1.00 PC
345	2236112435	Cylinder kit	04/04/13	1.00 PC
350	2901325050	Flywheel kit		1.00 PC
350	2901325050	Flywheel kit	04/04/13	1.00 PC
355	2236111620	Conrod-piston kit		1.00 PC
355	2236111620	Conrod-piston kit	04/04/13	1.00 PC
355	2236111620	Conrod-piston kit	02/05/12	2.00 PC
355	2236111620	Conrod-piston kit	04/04/13	2.00 PC
355	2236111620	Conrod-piston kit	07/02/12	2.00 PC
360	2901325049	Oil level kit		1.00 PC
360	2901325049	Oil level kit	04/04/13	1.00 PC
365	2236112438	Crankcase cover kit		1.00 PC
365	2236112438	Crankcase cover kit	04/04/13	1.00 PC
375	1630020700	Oil can		1.00 PC
375	1630020700	Oil can	04/04/13	1.00 PC
KM1	8973037864	Maintenance kit		1.00 PC
KM1	8973037864	Maintenance kit	04/04/13	1.00 PC
KM2		ORDER OIL SEPARATELY		1.00 PC
KM2		ORDER OIL SEPARATELY	04/04/13	1.00 PC
PK1	8973037657	Performance kit		1.00 PC
PK1	8973037657	Performance kit	04/04/13	1.00 PC
PK2		ORDER OIL SEPARATELY		1.00 PC
PK2		ORDER OIL SEPARATELY	04/04/13	1.00 PC