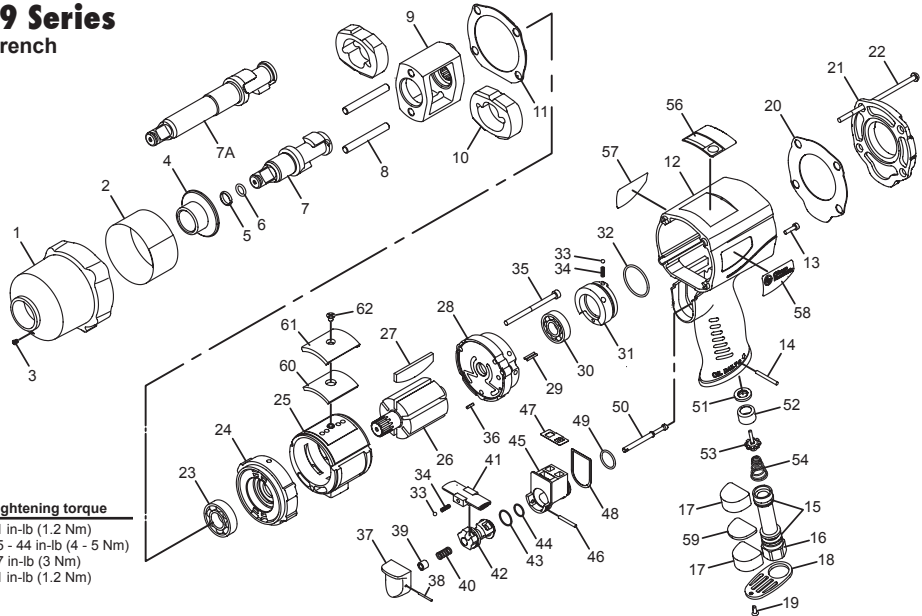


CP7749 Series Impact Wrench



Index No.	Tightening torque
13	11 in-lb (1.2 Nm)
22	35 - 44 in-lb (4 - 5 Nm)
35	27 in-lb (3 Nm)
62	11 in-lb (1.2 Nm)

Index No.	Part No.	Description	Qty.	Index No.	Part No.	Description	Qty.
1	8940167359	Clutch Housing	1	40	8940167380	Spring	1
2	2050521163	Steel Ring	1	41	8940167381	Lever	1
3	2050520633	Hammer Case Grease Fitting	1	42	8940167382	Reverse Valve	1
4	2050521093	Hammer Case Bushing	1	43	8940167383	O-Ring	1
5	2050521063	Socket Retainer	1	44	8940167384	O-Ring	1
6	2050521103	O-Ring	1	45	8940167385	Body-Throttle Valve	1
7	2050521363	Anvil (Incl: Index Nos. 5 & 6)	1	46	2050526623	Spring Pin	1
7A	2050526443	2" Extended Anvil (Incl: Index Nos. 5 & 6)	1	47	8940167386	Packing-Cylinder	1
8	2050521123	Hammer Frame Pin	2	48	8940167387	Regulator Base Gasket	1
9	2050521143	Hammer Frame	1	49	8940167388	O-Ring	1
10	2050521133	Hammer	2	50	8940167389	Trigger Tip	1
11	8940167360	Gasket	1	51	2050520903	Seal	1
12	8940167361	Housing	1	52	2050520913	Insert Bushing	1
13	8940167362	Hex. Soc. Hd. Bolt	1	53	2050520923	Valve-Throttle	1
14	2050520983	Spring Pin	1	54	8940167369	Spring-Throttle valve	1
15	2050520973	O-Ring	2	56	8940167226	Nameplate-Warning label(CP7749 only)	1
16	2050520793	Air Inlet	1	8940167227	Nameplate-Warning label(CP7749-2 only)	1	
17	8940167363	Muffler (CP7749 and CP7749-2)	1	8940168228	Nameplate-Warning label(CP7749Q only)	1	
18	8940167364	Muffler (CP7749Q only)	2	57	8940167485	Side label (Left)	1
19	8940167365	Deflector	1	58	8940167484	Side label (Right)	1
20	8940167366	Tap Bolt	1	59	8940168225	Handle exhaust muffler (CP7749Q only)	1
21	8940167367	Rear Cover Gasket	1	60	8940168224	Motor exhaust muffler (CP7749Q only)	1
22	8940167368	Rear Cover	1	61	8940168226	Muffler cover (Serial No. starting by D only)	1
23	8940167368	Half Round Hd. Hex. Bolt	4	62	8940168227	Bolt (Serial No. starting by D only)	1
24	2050521223	Bearing	1				
25	2050521233	Front End Plate	1				
26	8940167370	Liner (*)	1				
27	2050521253	Rotor	1				
28	2050521263	Blades Set (6)	1				
29	8940167371	Rear End Plate (*)	1				
30	8940167372	Spring Pin	2				
31	2050521283	Bearing	1				
32	8940167373	Regulator (*)	1				
33	8940167374	O-Ring	1				
34	2050521923	Steel Ball	1				
35	8940167375	Positioning Spring	2				
36	2050520853	Hex. Soc. Hd. Bolt	3				
37	8940167376	Spring Pin	1				
38	8940167377	Trigger	1				
39	8940167378	Spring Pin	1				
40	8940167379	Trigger Bushing	1				

Tune-Up Kit for CP7749 & CP7749-2
 8940167481 (Incl.: 5, 6, 11, 15, 17, 20, 27, 32, 43, 44, 47, 48, 49, 51)

Repair Kit for CP7749
 8940167482 (Incl.: 5, 6, 7, 8, 10, 11, 15, 17, 20, 27, 32, 43, 44, 47, 48, 49, 51)

Repair Kit for CP7749-2
 8940167483 (Incl.: 5, 6, 7A, 8, 10, 11, 15, 17, 20, 27, 32, 43, 44, 47, 48, 49, 51)

Protective Tool Boot
 8940167487

Muffler kit (only for tools with Serial No. starting by D)
 8940168223 (Incl.: 17, 59, 60)

(*) For spare parts order:
 If Tool Serial No. is C-00501-2009 or higher, use **Conversion kit from model C to D** 8940168232 (incl: 25, 28, 31, 61, 62)
 If Tool Serial No. starts by letter D, Index# 25, 28 & 31 can be ordered separately